

PROUDLY HANDMADE IN THE USA
WITH AMERICAN COMPONENTS

TOMCAT

MICROMINI



Single Pass
Finish Removal

COMPACT SCRUBBERS



BURNISHERS



CHEMICAL FREE



RIDER SCRUBBERS



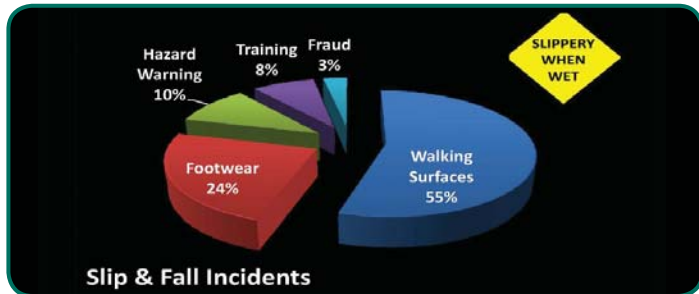
FLOOR MACHINES



TOMCAT's ultra compact **MICROMINI** scrubbers are designed to clean schools, hospitals and retail locations, while standing up to the demands of daily contract cleaning.

The **EDGE** surface preparation technology is available on the **MICROMINI** in both 20 and 24 paths. This innovative cleaning head uses high speed oscillating and allows the **MICROMINI** to remove floor finish with tap water and eliminate the need for chemical strippers. By eliminating harsh and slippery chemical strippers the **MICROMINI EDGE** can:

- Be environmentally friendly
- Helps earn LEEDS credits
- Wet screens Wood Gym floors
- Allow novices to prep and recoat like an expert
- 70% reduction in water use
- Reduce "Slip & Fall" accidents



The scrub head is protected by the frame's heavy steel construction, with non-marking tires and bumper wheels to protect against marks. Like all **TOMCAT** equipment, the **MICROMINI** is entirely Made In The USA, and with American components that are assembled with stainless fasteners.

On close inspection you will notice that axle, casters, squeegee linkage and battery package are all mounted directly to a 10 gauge steel frame, which is powder coated for protection.



**Call For A
Demonstration:**
(800)450-9824
+011-262-681-6470
www.tomcatequip.com

MANEUVERS IN TIGHT WORKING AREAS



Watch **EDGE** at:
www.youtube.com
Search: Tomcat
Edge Scrubber

Single Pass
Stripping with
only Water

FULLY CLEANABLE RECOVERY TANK FOR SANITIZING



TANK TIPS BACK FOR EASY SERVICE

FULL ACCESS TO CORNERS FOR THOROUGH CLEANING



Adjustable Stainless Handlebar
Operator Comfort

Transparent Lid
Gives operator view into tank

Stainless Drain Saver
Eliminate clogged drains

Tank Baffle Separates
Recovery Tank
Protect Vac Motor from foam

Open Recovery Tank
Access for Sanitation

Isolated Vac Motor
Quiet/redirected exhaust

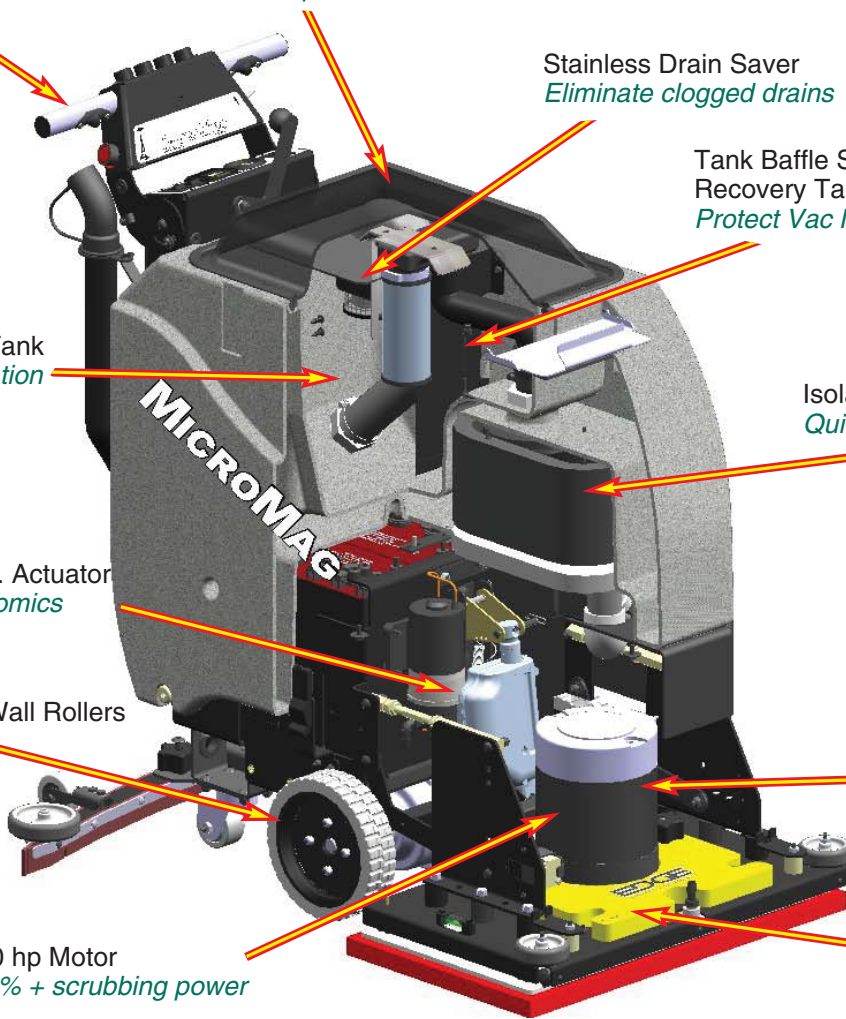
Standard 350 lb. Actuator
Operator Ergonomics

Grey Tires, Casters & Wall Rollers
Eliminate skid marks

American Made Motors
Performance & long life

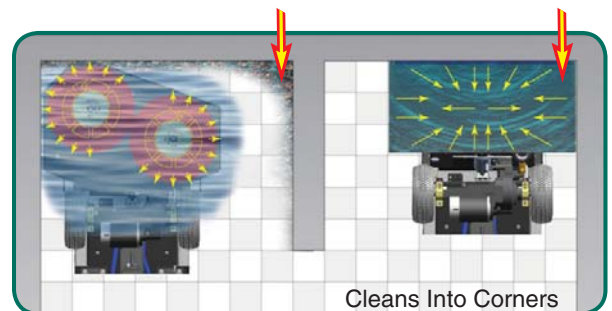
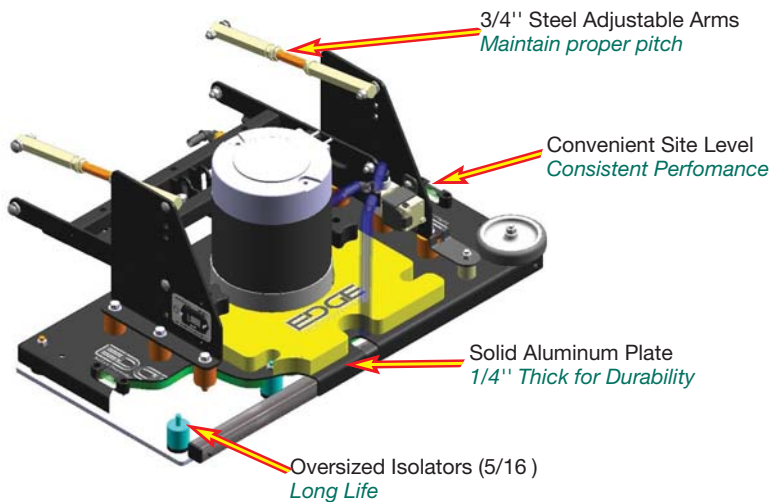
1.0 hp Motor
30% + scrubbing power

1/2" Steel Plates
Removable



**TOMCAT
EDGE**
Surface Preparation Technology

- Chemical Free Stripping
- Reduce Slip & Fall Potential
- Earn LEEDS Credits
- 70% Reduction in Water Usage
- Consistent Results – No Swirl Marks



Made in USA . . . Sold & Supported Worldwide

Since 1986, our family owned company has been designing, building and supporting the best in floor maintenance equipment. Our **TOMCAT** brand services the world with unsurpassed commercial cleaning equipment, continually exceeding expectations and setting the industry bar that much higher. We favor the American Economy, and are committed to legitimate environmental best practices. Our investment in technology ensures a superior product and support for our customers. We want to ensure that we provide only the best in customer service, and that begins with our knowledgeable in-house customer support staff.

We've built our reputation by providing the highest value machines and providing local support via over 400 distributors in 42 different countries. Our Authorized Distributors maintain a "factory trained" technical department, with a vested interest in our customers' long term satisfaction. **TOMCAT** offers a full line of equipment that includes sweepers, scrubbers and burnishers in both walk behind and rider models.

Distributor Near You



Partial List of Countries We Serve

Japan	Holland	Saudi Arabia
Russia	Belgium	United Arab Emirates
South Korea	Ireland	Oman
Australia	Switzerland	South Africa
New Zealand	France	Malaysia
China	Poland	Barbados
Germany	Mexico	Bahamas
Sweden	Ecuador	Spain
Norway	Chile	Czech Republic
Finland	Peru	Canada
Denmark	Iceland	United States

AUTHORIZED DISTRIBUTOR



Manufactured By:
R.P.S. Corporation
P.O. Box 241
Racine, Wisconsin 53401
Phone: (800) 450-9824
International: +011-262-681-6470
Fax: (866) 632-6961
www.tomcatequip.com

Copyright R.P.S. Corporation 2014. All rights reserved.
 Since our policy is one of constant improvement, all specifications are subject to change without notice.



MICROMINI
 20", 24" (51, 61 cm)

Body Construction/Dimensions

Tank Material:	Poly (5/16" thick) (.79 cm)
Chassis Construction:	3/16" Coated Steel (.48 cm)
Rear Casters:	(2) 2.5" x 1.5" [(2) 6.4 x 4 cm]
Front Wheels:	(2) 8" x 2" [(2) 20 x 5 cm]
Size (L x W x H):	42" x 21" x 39" (106 x 53 x 99 cm)
Weight (w/o batteries):	265 lbs. (120 kg)
Weight (w/batteries):	430 lbs. (195 kg)

Brush System

Disk Deck:	20-Disk: (1) 20" (51 cm)
EDGE Pad Size:	20-EDGE: (1) 20" x 14" (51 x 36 cm)
	24-EDGE: (1) 24" x 14" (61 x 36 cm)
EDGE Pad Motor:	(1) 1.0 hp (746 watts)/2500 rpm
Optional EDGE Motor:	(1) 1.2 hp (895 watts)/2900 rpm
Brush Down Pressure:	0-135 lbs. (0-68 kg)

Battery System

System Voltage:	24 volts
Standard Battery Rating:	130 ah
Optional Battery Rating:	Up to 150 ah
Battery Run Time:	Up to 3.5 hours
Charger (110v/60 Hz):	24v/12 amp Dual Mode Console

Solution System

Solution Tank Capacity:	10 gallons (38 liters)
Solution Flow Rate:	0-.5 gpm (0-2 lpm)
Solution Filter:	Stainless/Inline

Recovery System

Recovery Tank Capacity:	10 gallons (38 liters)
Vacuum Power:	0.75 hp (559 watts)
Drain Hose:	1.5" diameter (4 cm)
Vacuum Specs (lift/airflow):	70"/70 cfm (178 cm/21 cmm)
Demisting Chamber:	1.25 gallons (5 liters)
Drain Saver:	30 cubic inches (70 cubic cm)

General

Cleaning Width:	20-E: 20" (51 cm)
	24-E: 24" (61 cm)
Cleaning Rate/Hour (sq. ft/hr):	Up to 20,525 (6,256 m)
Sound Level:	67 dBA

Drive System

Standard Drive:	0.4 hp (298 watts), all gear/sealed
Forward Speed:	0-230 ft/min (70 m/min)
	(4 mph) (6 kph)
Reverse Speed:	0-130 ft/min (40 m/min)
	(2 mph) (3 kph)

Options:	Maintenance Free Batteries
	Remote Spray Wand